

Typically, T70 is fixed at 100mm centres and suspended from M12 studding.

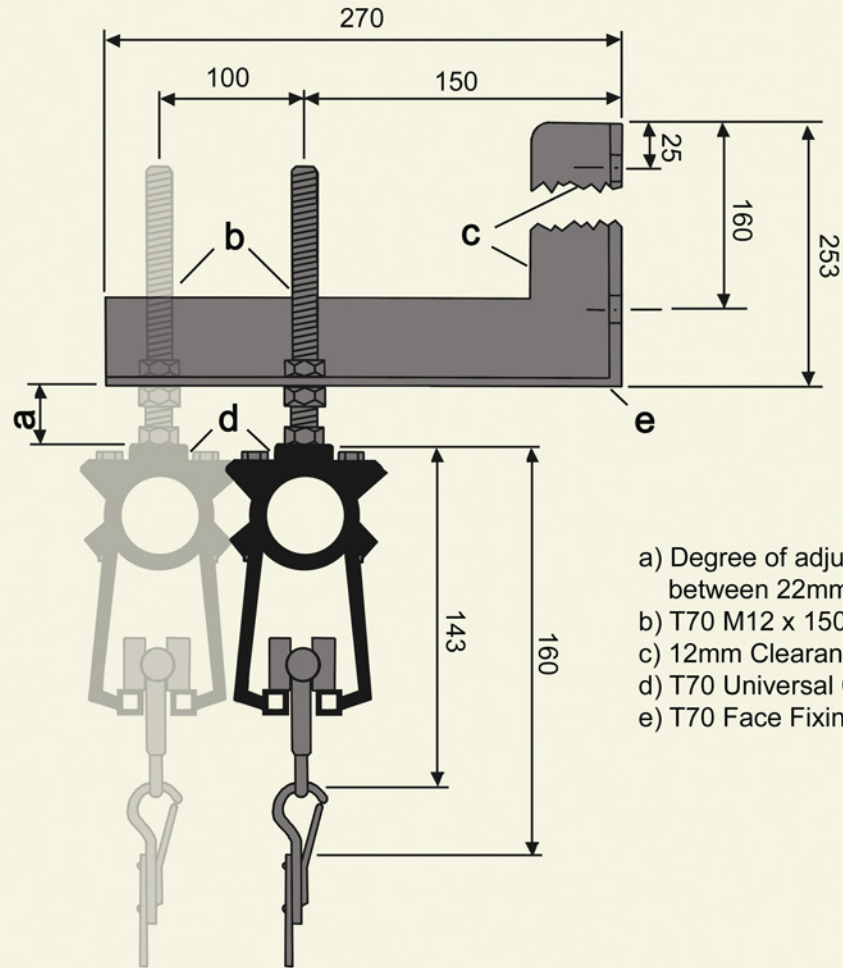
While the image shows the track suspended from a wall bracket, T70 can be suspended from girders, tube, timber, ceilings and deadlines as standard and bespoke fixings can be manufactured for site specific situations.

150mm studding is suitable for most fixing solutions and will allow for around 70mm of adjustment.

For tube fixing 300mm stud is required to attain the same level of adjustment.

Studding can be supplied cut to non-standard lengths upon request.

Studding is connected to the curtain track with use of the T70 Universal fitting.



- a) Degree of adjustmet between 22mm - 92mm
- b) T70 M12 x 150mm Stud Bolt
- c) 12mm Clearance Holes
- d) T70 Universal Clamp
- e) T70 Face Fixing Bracket

