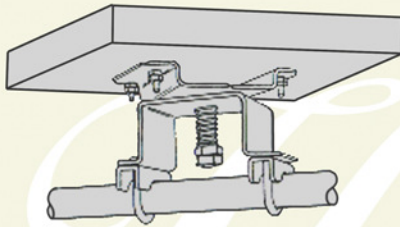


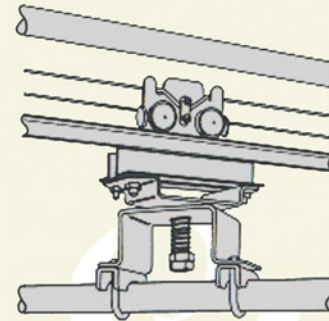
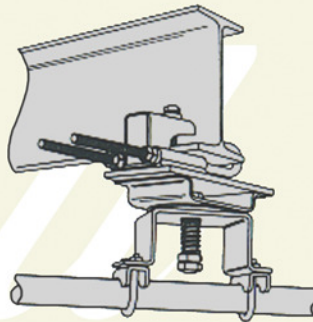
### Wood Fixing Swivel Arm

To clamp lengths of  $\varnothing 25$  tube below a wooden joist or soffit using 10mm coach screws while providing full 360° rotation with positive lock.



### Girder Fixing Swivel Arm

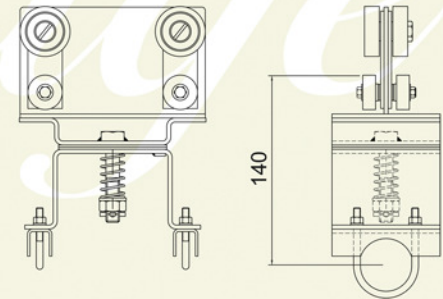
To clamp lengths of  $\varnothing 25$  tube below an I Beam with a flange width between 75 and 150mm while providing full 360° rotation with spring retained pin brake. Larger Beam flange clamps can be supplied to order.



### Carrier Mounted Swivel Arm

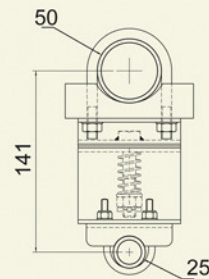
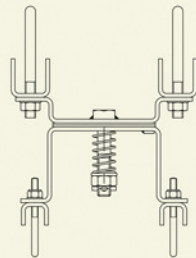
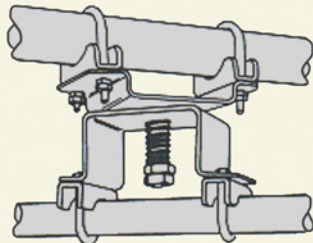
Generally manufactured to order. To clamp lengths of G25 tube below a primary track while providing full 360° rotation with spring retained brake.

Illustration shows typical arrangement with the swivel arm - 3603, attached to T60 track carrier - 0517, with horizontal movement and positioning by hauling line with optional spring loaded brake.



### Tube Fixing Swivel Arm

To clamp lengths of  $\varnothing 25$  tube to  $\varnothing 38$ , 48 or 60mm tube while providing full 360° rotation with spring retained pin brake.



### Drop Arm Extension

To increase vertical distance between swivel tube & girder, tube, wood or carrier mounting. Specify fixing and drop arm length when ordering.

