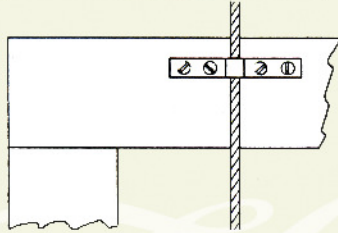
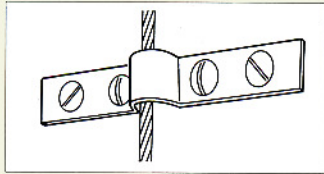


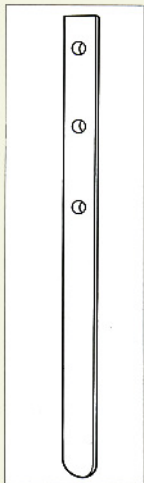
### Grummet

This fitting is designed to screw and bolt to the top of a scenery flat to hold the fling cables in position.  
 Material: Mild steel  
 Fixing: 2 x 5mm dia. Round Head Machine Screws & Nuts  
 2 x No. 8 25mm C.S.K. wood screws.

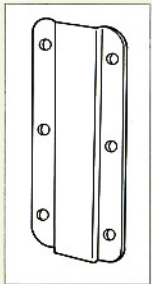


### Extension Fittings

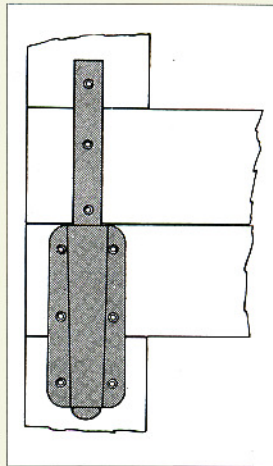
A vertical fitting used to flush join two scenery flats.  
 Material: Mild steel.  
 Fixing: Socket - No. 8 25mm C.S.K. wood screws  
 Plug - No. 8 32mm C.S.K. wood screws



### Extension Plug



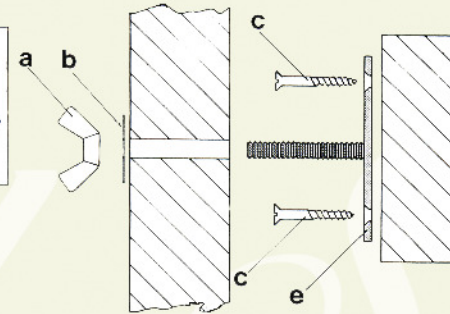
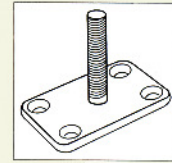
### Extension Socket



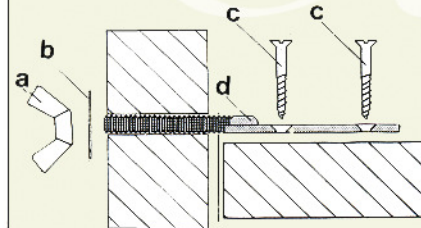
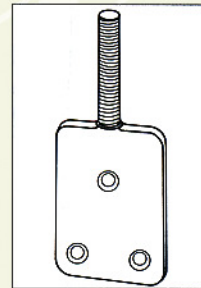
### Stud Plate

Versatile fittings especially suited to situations which require the quick and simple fastening of scenery parts.  
 Material: Mild steel.  
 Fixing: No. 8 C.S.K. wood screws.

### Stud Plate



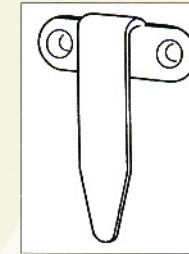
### Peg Plate



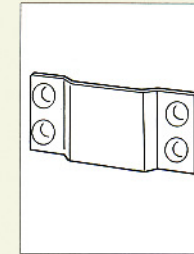
- |   |                             |
|---|-----------------------------|
| a | M10 Wing Nut                |
| b | Protection plate for timber |
| c | No. 8 C.S.K. wood screws    |
| d | Peg plate                   |
| e | Stud plate.                 |

### Pelmet Clips and Sockets

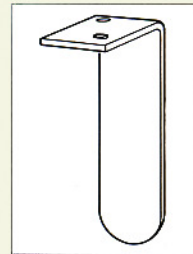
These fittings provide a simple and quick means of attaching and removing shelves, pictures etc. from scenery flats.  
 Material: Mild steel.  
 Fixing: No. 8 25mm C.S.K. Wood Screws.



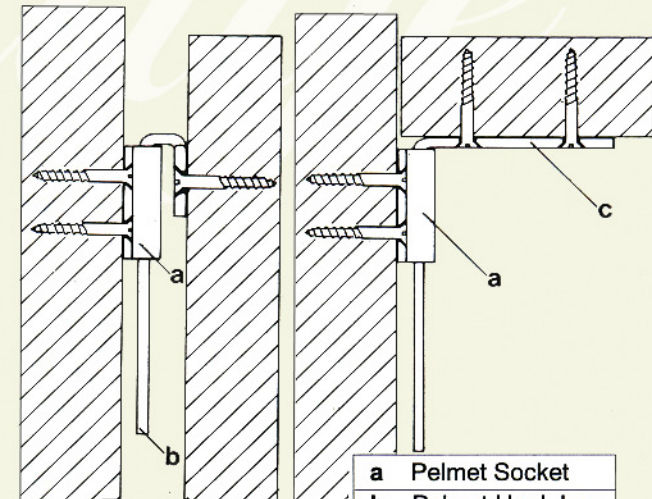
### Hook Iron



### Socket



### "L" Iron

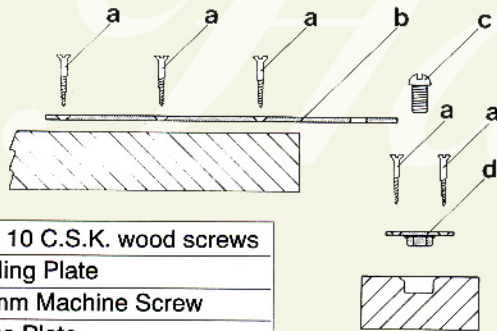
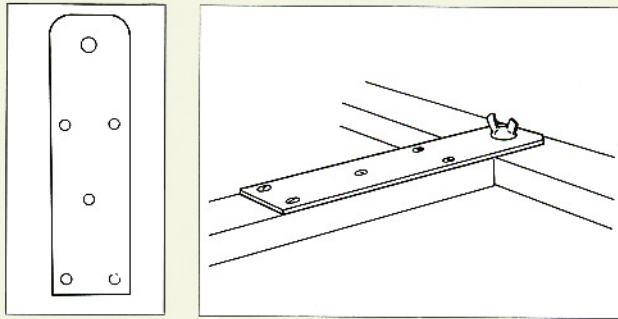


- |   |                  |
|---|------------------|
| a | Pelmet Socket    |
| b | Pelmet Hook Iron |
| c | Pelmet "L" Iron  |



### Ceiling Plate without Ring

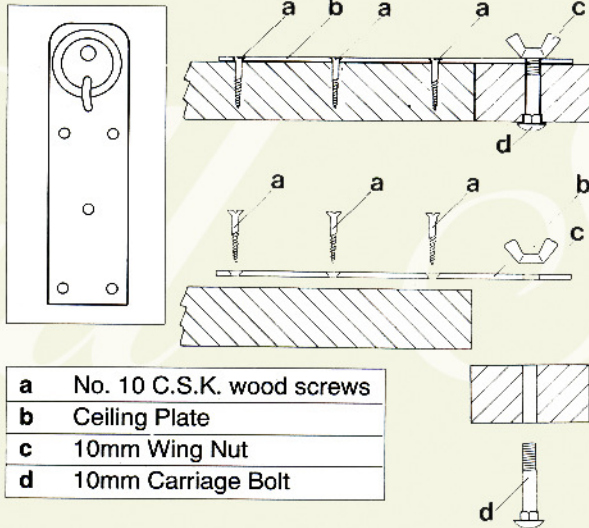
Provides a similar function to that of the ringed type, but for assembly purposes only.



- |          |                           |
|----------|---------------------------|
| <b>a</b> | No. 10 C.S.K. wood screws |
| <b>b</b> | Ceiling Plate             |
| <b>c</b> | 10mm Machine Screw        |
| <b>d</b> | Boss Plate                |

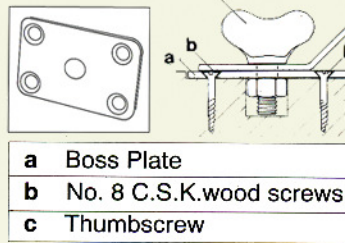
### Ceiling Plate with Ring

Designed to provide a quick and easy method of assembling pre-fabricated scenery with a ring for suspending light constructions. May be used in conjunction with the No. 21 Peg Plate, No. 100 Boss Plate, No. 304 Stud Plate or Carriage Bolt with wing nut.  
Material: Mild steel  
Fixing: No.10 C.S.K. wood screws.



- |          |                           |
|----------|---------------------------|
| <b>a</b> | No. 10 C.S.K. wood screws |
| <b>b</b> | Ceiling Plate             |
| <b>c</b> | 10mm Wing Nut             |
| <b>d</b> | 10mm Carriage Bolt        |

### Boss Plate



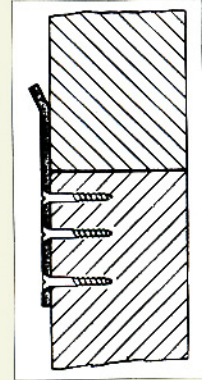
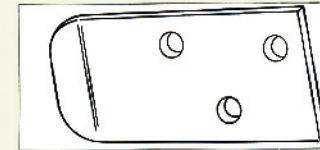
- |          |                          |
|----------|--------------------------|
| <b>a</b> | Boss Plate               |
| <b>b</b> | No. 8 C.S.K. wood screws |
| <b>c</b> | Thumbscrew               |

### Thumbscrew

A versatile fitting with a 10mm machine thread which can be used in conjunction with the Boss Plate, Stud Plate and Peg Plate.  
Material: Mild steel  
Fixing: no. 8 C.S.K. wood screws.

### Jointing Plate

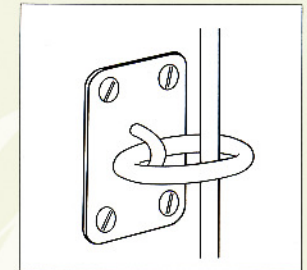
Used where it is necessary to have two surfaces butted flush together but allowing simple separation.  
Material: Mild steel.  
Fixing: No. 8 C.S.K. wood screws.



### Ring Plate

An alternative to the No. grummet, the ring plate may also be used to suspend very light scenery.  
Material: Mild steel plate with welded ring.

Fixing: 2 x 5mm dia. Round Head Machine Screws & Nuts  
2 x No. 8 25mm C.S.K. wood screws.



### Doorstop

A simple and inexpensive door jamb for scenery.  
Material: Mild steel  
Fixing: No. 8 C.S.K. wood screws.

