

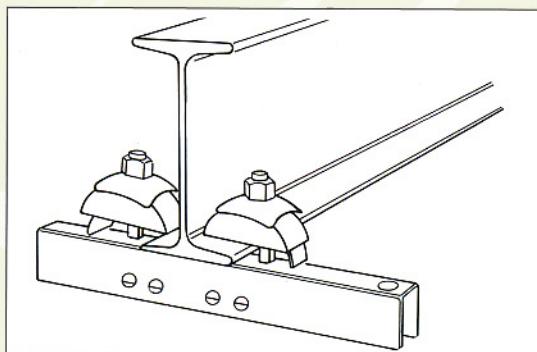
**Adjustable Girder Clip**

Designed to clamp to any R.S.J. bottom flange to provide a suspension point for fitting a 12mm dia. Eye Bolt, Stud etc.

Sizes between 75mm and 150mm overall.

Material: Mild steel

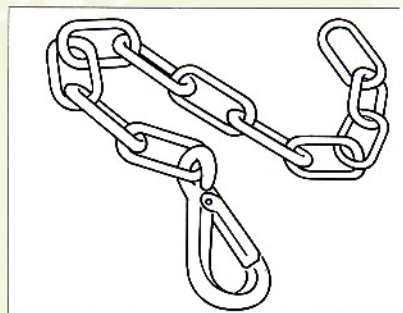
12.5mm clearance hole for fitting eye bolts, stud bolts etc.



**Barrel Sling**

Designed to allow scenery, curtain tracks and props to be easily and quickly attached to counterweight barrels.

Material: mild steel chain and hook.

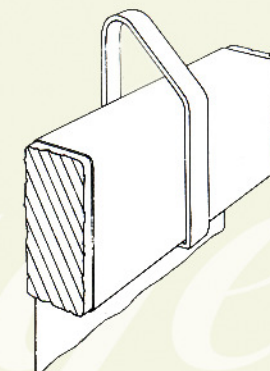
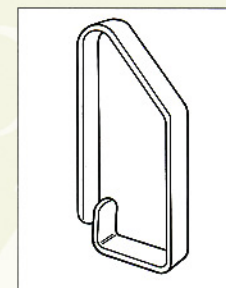


The 0.7kg per m chain is generally supplied 1m in length but can be supplied with or without hook. This chain is tested to a S.W.L. of 250kg.

**Top Batten Clip**

designed to avoid the bad practice of cutting holes in canvas for flying lines. The clip slides over the end of the cloth so that a number of turns of fabric can be taken up, thus shortening the cloth where flying height is restricted.

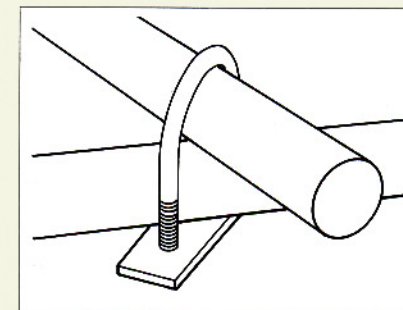
Material: Mild steel



**"U" Bolt Fixing**

An economical and simple means of clamping tubes of similar or differing diameters together at 90°.

Material: Mild steel





### Hanging Ring

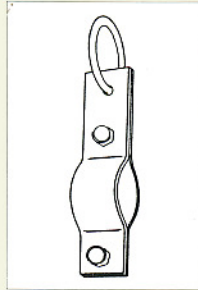
Used to suspend tubing on counterweighting or raise and lower sets.

Material: Mild steel

Sizes:

37mm gas (48mm O.D.)

50mm gas (60mm O.D.)

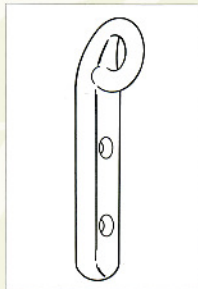


### Fixing Iron

Designed to screw or bolt to any flat surface which requires a suspension or restraining point.

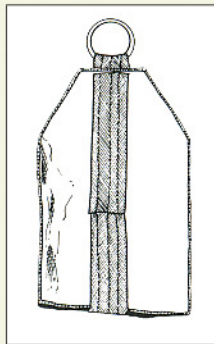
Material: Malleable iron casting

Fixing: No. 12 C.S.K. wood screws.



### Sandbag

Manufactured from durable canvas and supplied unfilled. They are attached to the counterweight or raise and lower lines after the removal of scenery barrels etc. to prevent running back.



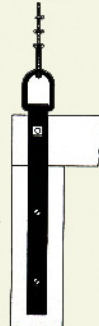
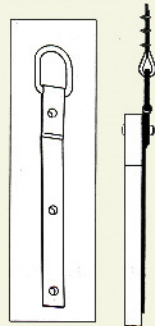
### Flying Irons

May be used as an alternative to the "eye in" hanging iron, where the type of scenery does not permit its application.

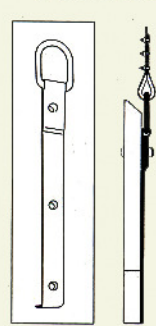
Material: Mild steel

Fixing: 2 x no. 12 C.S.K. wood screws  
1 x 10mm Carriage Bolt.

### Plain Iron Cat. No 177A



### Lipped Iron Cat. No 177B



### Hanging Irons

Where possible stage scenery should be picked up from the bottom rail by means of Hanging Irons.

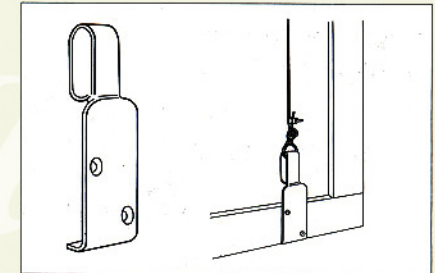
There are two types manufactured; with the eye turned in and with the eye turned outwards. The former type is made flush with the bottom rail and the latter is usually cut into the stile when picking up from the bottom rail is not possible.

Material: Mild Steel.

Fixing: No. 10 C.S.K. wood screws.

### Hanging Iron 25mm Eye In

Cat No. 175



### Hanging Iron 25mm Eye Out

Cat No. 174

