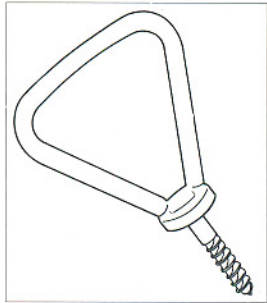


# Hall Stage

PURVEYORS OF INNOVATIVE ENGINEERING SINCE 1898

Unit 4, Cosgrove Way, Luton, Beds, LU1 1XL  
Tel : 0845 345 4255 Fax: 0845 345 4256  
sales@hallstage.com www.hallstage.com

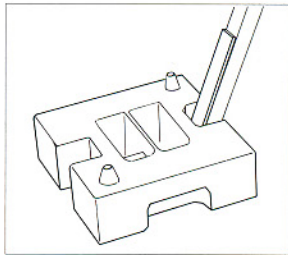
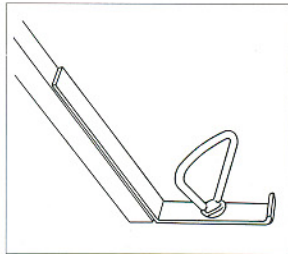
## Scenery Fittings - Scenery Braces



### Stage Screw

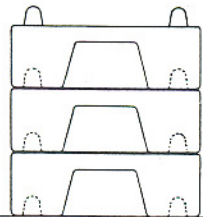
An alternative lower fixing for the extending brace.

Material: Mild steel

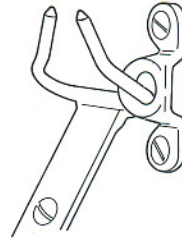


### Brace Weight

15 kilo to hold extending brace in position.  
Material: Cast iron.



Designed with interlocking spigots for stacking.

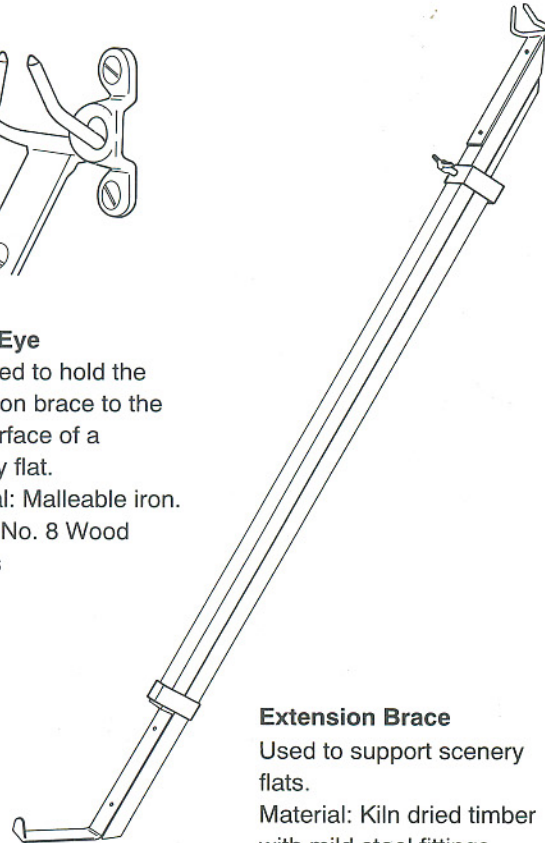


### Brace Eye

Designed to hold the extension brace to the rear surface of a scenery flat.

Material: Malleable iron.

Fixing: No. 8 Wood Screws



### Extension Brace

Used to support scenery flats.

Material: Kiln dried timber with mild steel fittings.

Extension Brace, Extending to 2 m
Extension Brace, Extending to 3 m
Extension Brace, Extending to 4 m

