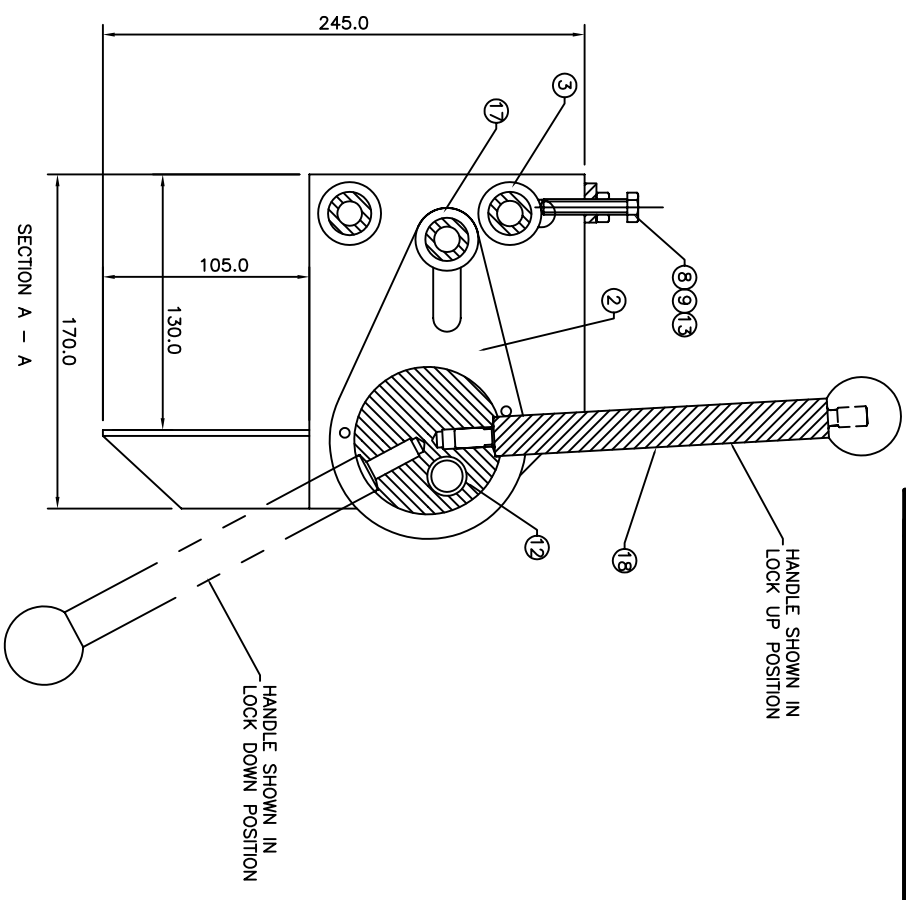
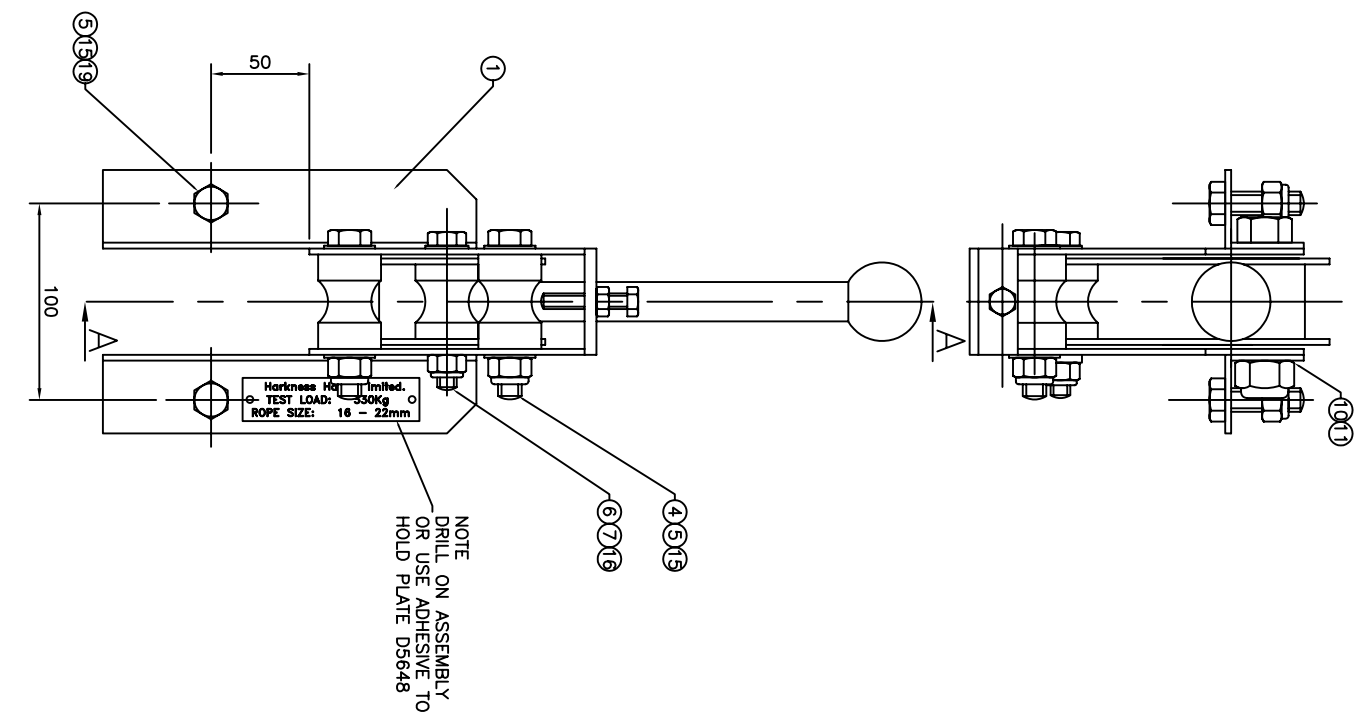


ITEM DESCRIPTION	PART NO	DWG NO	ISS	QTY
1 SIDE PLATE ASSEMBLY	CWB0-7087	F5825	1	1
2 CAM ASSEMBLY	CWB0-7088	A5824	1	1
3 STATIC ROLLER	CWB0-1711	D4511	2	2
4 M12 x 75LG H/H BOLT	BTRO-1522	----	-	2
5 M12 NYLOC NUT	NZRO-1489	----	-	4
6 M10 x 70LG H/H BOLT	BTRO-1781	----	-	1
7 M10 NYLOC NUT	NZRO-1431	----	-	1
8 M8 x 45LG H/H SET SCREW	SWBO-1640	----	-	1
9 M8 HEXAGON FULL NUT	NZRO-2014	----	-	1
10 M16 x 90LG H/H BOLT	BTRO-4165	----	-	1
11 M16 NYLOC NUT	NZRO-1527	----	-	1
12 16 ID x 20 OD x 16 LG OILITE BUSH	BSRO-4245	----	-	2
13 M8 CRINKLED LOCK WASHER	WSRO-1757	----	-	1
14 M16 FORM B WASHER	WSRO-1769	----	-	2
15 M12 FORM B WASHER	WSRO-1486	----	-	6
16 M10 FORM B WASHER	WSRO-1429	----	-	2
17 SPACER 10 ID x 13 OD x 55 LG	SFRO-7097	----	-	1
18 HANDLE	HSBO-6556	D5322	1	1
19 M12 x 40LG H/H BOLT	BTRO-1510	----	-	2



MOD: 12/5/98 ISSUE: A SPEC: MATT.		DATE: 12/06/98 APPD: CHD		DRG NO: 5781 ISSUE: 1	
TITLE: GENERAL ASSEMBLY OF A STANDARD ROPE LOCK		DRN: NR		APPD: CHD	
1:2		1:2		1:2	