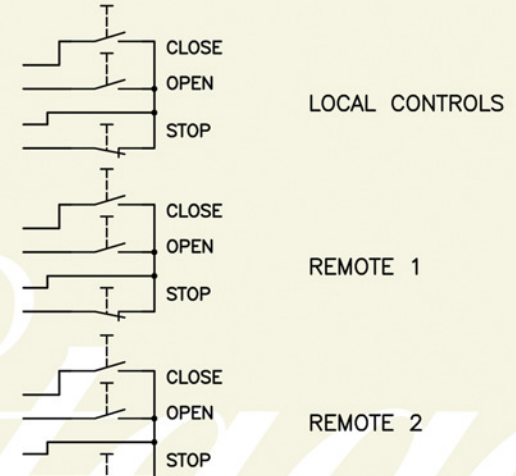
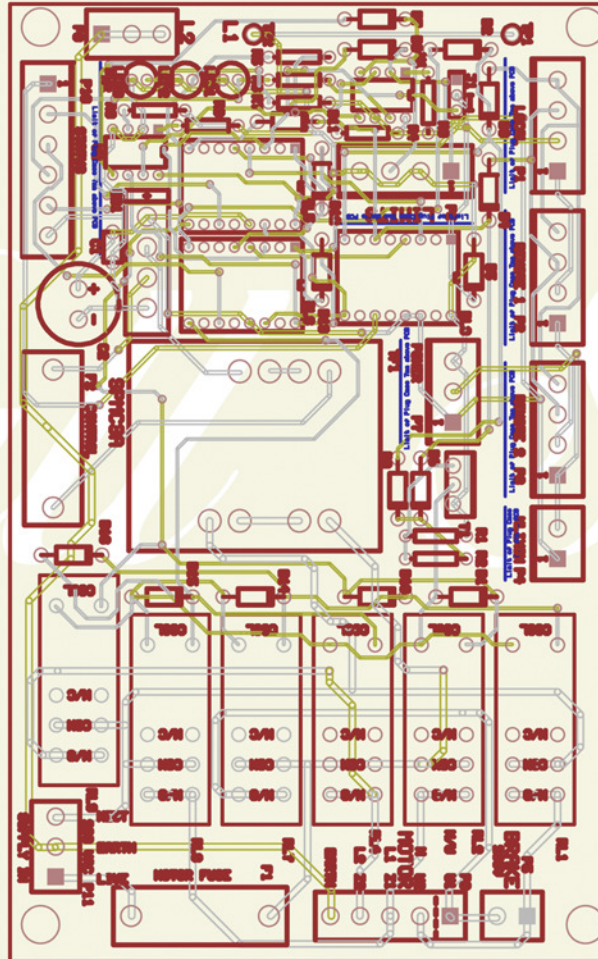


SUPPLY 230VAC 50I
5A MOTOR RATED



REMOVE LINKS WHEN REMOTES FITTED
REMOTES ARE 24V DC AT 50mA.

SPMC3A Motor Control Wiring Diagram

